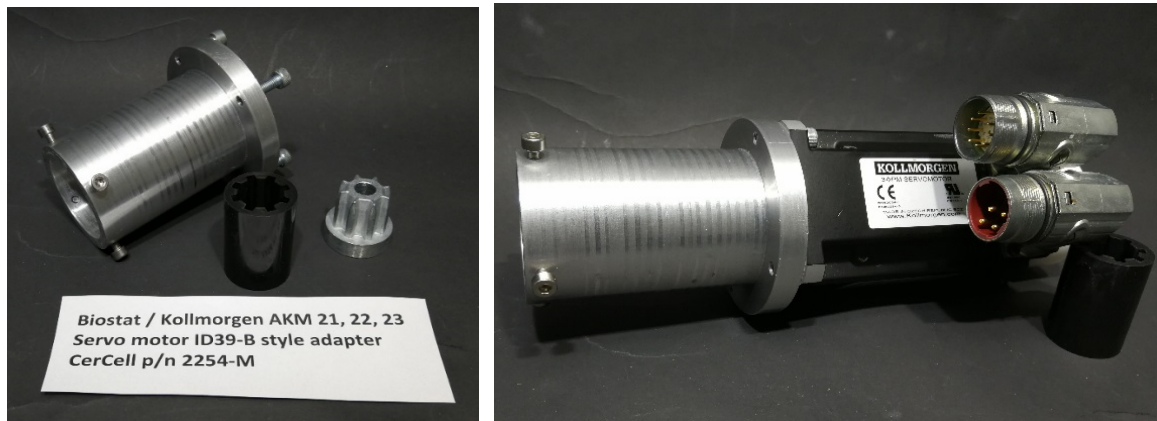


Guide Kollmorgen ID39-B adaptor mounting
Date: 2021-06-25
Author: Kevin

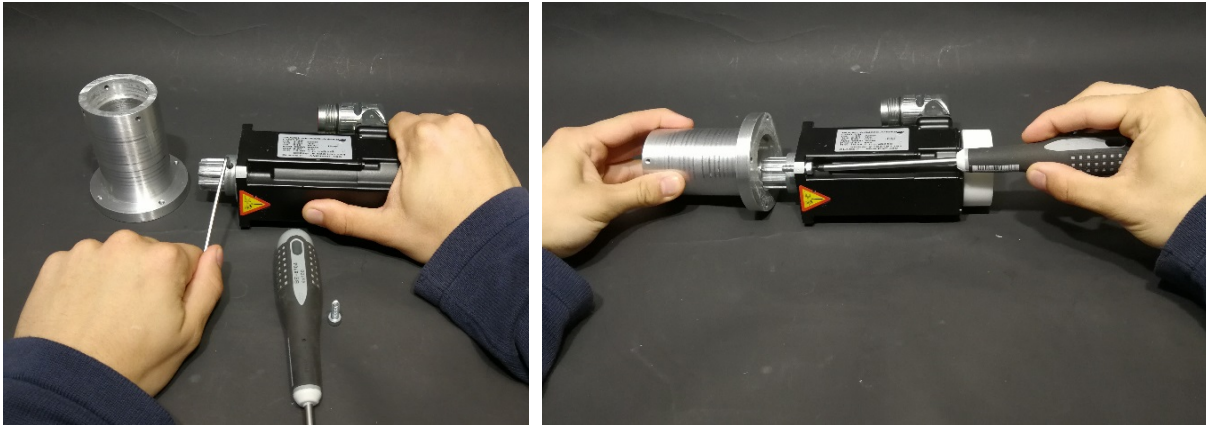
Mounting of ID39-B on Kollmorgen servo motor

The USA brand Kollmorgen AKM23C/D as used by Sartorius and available in both metric and inch dimension. Some care is required locating the correct adapter and bolts! The rubber coupling, metal sprocket used is from Walter-Flender model PowerGrip size VF-WK-PG-21.



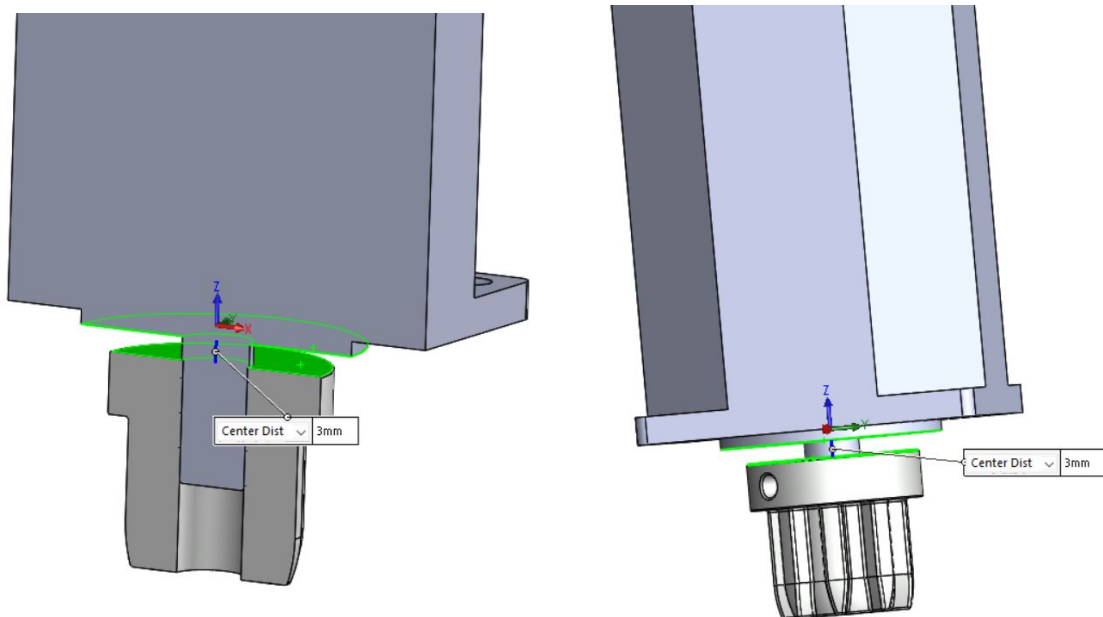
Here above seen Kollmorgen servo motor as used by Sartorius plus recommended tools.

The shown model is with metric dimension. CerCell seek to use bolts with internal hexagonal sockets. The Allen keys are metric and of 4 mm size for the M5 bolt for connecting motor and adapter. The 4 x bolts M5 bolts should be tighten 1-2 Nm or 1-2 lbf/feet torque.



The metal sprocket inner hole dimension depends on the particular servo motor shaft size.

Mount the metal sprocket on the shaft before the large aluminium adapter!



Rendered sketches of the motor mounted with the metal sprocket. Distance between motor flange and sprocket app 2-3 mm or app 1/8".

The metal sprocket to fasten with the black steel Allan bolt M3. Which need a metric Allen key 2.5 mm. Tighten well like 2-3 Nm or 2-3 lbf/feet.

We refer to these links

<http://cercell.com/support/drive-system-details/servo-motors/>

<http://cercell.com/support/drive-system-details/conversion-kits-for-servo-motors/>

<http://cercell.com/support/drive-system-details/couplings-in-adapters/>



One Kollmorgen AKM servo motor with standard Biostat ID39-B adaptor mounted on the CerCell MST. A set of Kollmorgen servo motors with almost identical size (metric or inch) adaptors and one shaft.

END